

“The New Choice in Air Movement”

# BREEZA FANS USA

301 Highway 34 • Utica, Nebraska 68456-0065

Phone: 402-534-2015 • Fax: 402-534-3402

Email: sales@breeza.com • Web: breezafans.com

## Modular Fans



Available in  
either left or  
right hand rotation.

### *Breeza Fans USA's Commitment to Service and Quality*

- *Engineering and design support — 3-D model Solid Works drawings available upon request*
- *Short lead times — 24 hours in emergency situations*
- *No minimum requirements*
- *In-house machining with high performance CNC turning and milling centers*

The challenge of cooling Tier IV and Tier V engines has now been met. Proudly made in the USA, **Breeza Fans USA** has introduced a new fan specifically designed to meet the needs of today's high static, high air flow requirements. Available in configurations from 6 to 10 blades, Shogun modular fans are a step forward in advancing cooling system technology.

**Breeza Fans USA** will work with you to determine the optimal design for your application. Offered in diameters ranging from 16" to 22" (406.4 to 559 mm), this unique fan can be made to rotate either left or right with virtually any pilot or bolt circle specifications.

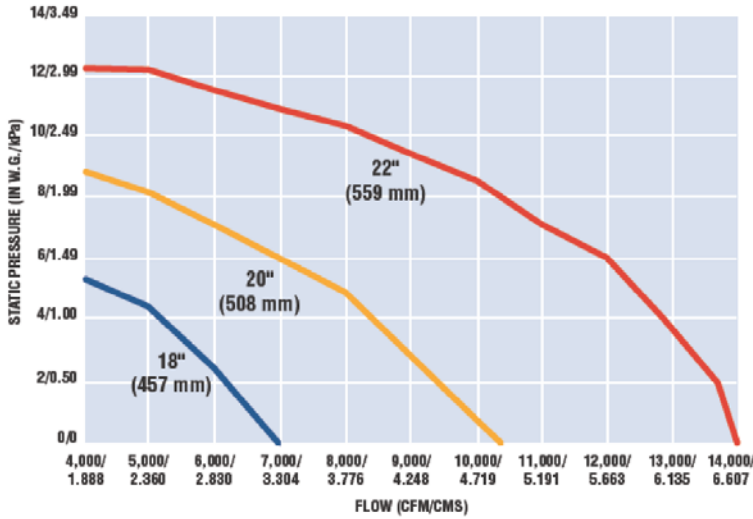
- Perfect for direct mounted or clutch mounted applications
- Ideal for electric and hydraulic shaft-mounted applications
- Unique blade design minimizes deflection and reduces noise for increased efficiency
- Develops up to 14,000 cu. ft./min. (6,607 cu. m/sec) of airflow
- Flexible and innovative manufacturing techniques allow shortened lead times
- Quality steel or aluminum hubs along with rugged glass reinforced nylon blades create unsurpassed durability



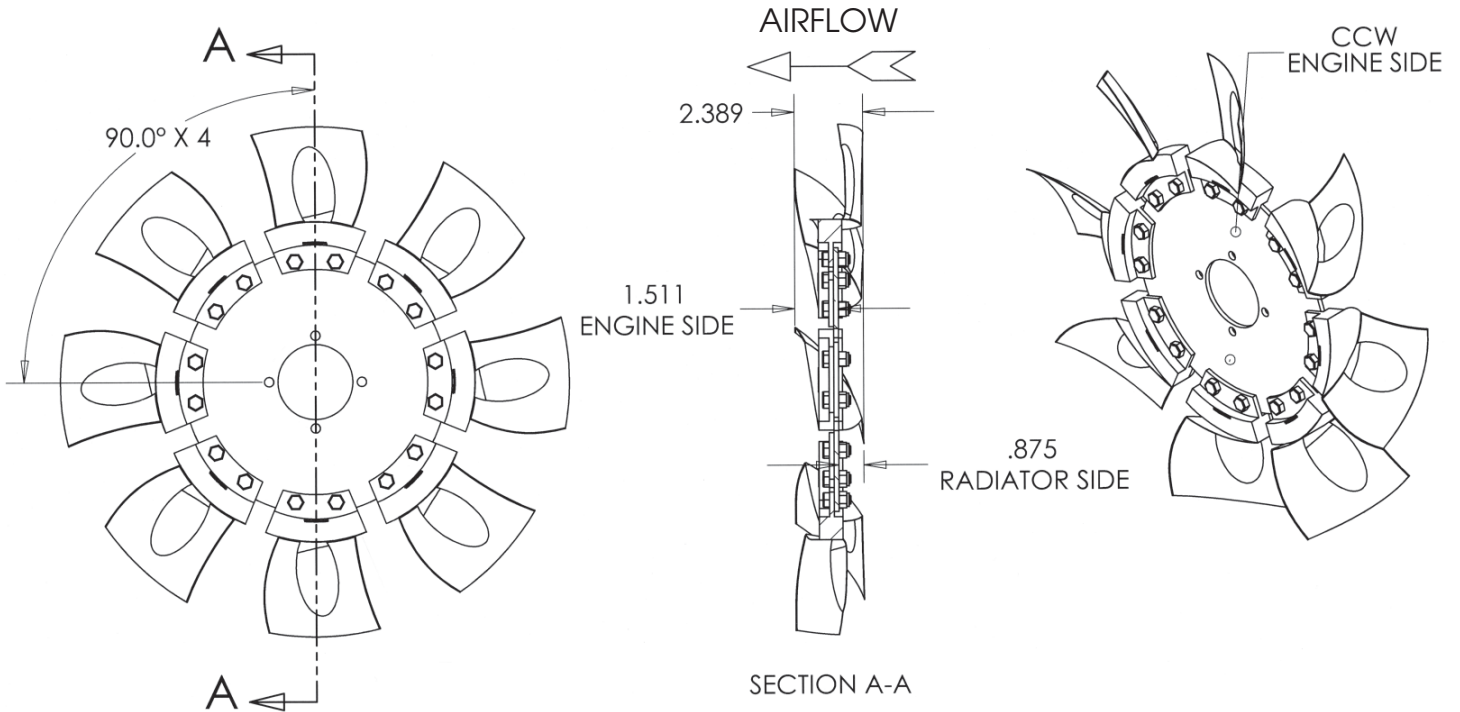
### Shogun™ Modular Fans — Specifications

Diameters	16" - 22" [406.4 - 559 mm]
Blade Configurations	6 - 10 blades equally spaced
Standard Pilots	.625" - 5" [15.9 - 127 mm]
Pitch Width	2.44" [62 mm]
Weight	18" [457 mm] 6-blade fan with 1" [25 mm] pilot = 3.7 lbs. [1.68 kg] 22" [559 mm] 10-blade fan with 5" [127 mm] pilot = 6.75 lbs. [3.06 kg]
Maximum Tip Speed	18,000 ft/min [912 m/sec]

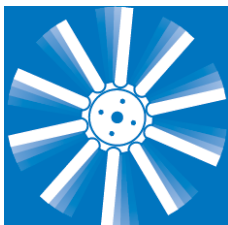
Shogun Modular Fan Curves, 3125 RPM, 0.075 lb/ft<sup>3</sup> [1.201 kg/m<sup>3</sup>]



## REPRESENTATIVE SHOGUN DRAWING



**MANUFACTURED TO YOUR SPECIFICATIONS**



"The New Choice in Air Movement"

**BREEZA FANS USA**

301 Highway 34 • Utica, Nebraska 68456-0065

Phone: 402-534-2015 • Fax: 402-534-3402

Email: sales@breeza.com • Web: breezafans.com